



PALLMANN

Pallmann HEPA Vac Spare parts List

Part.No: #085638 USA 115V

Ser.No:
Year 2018



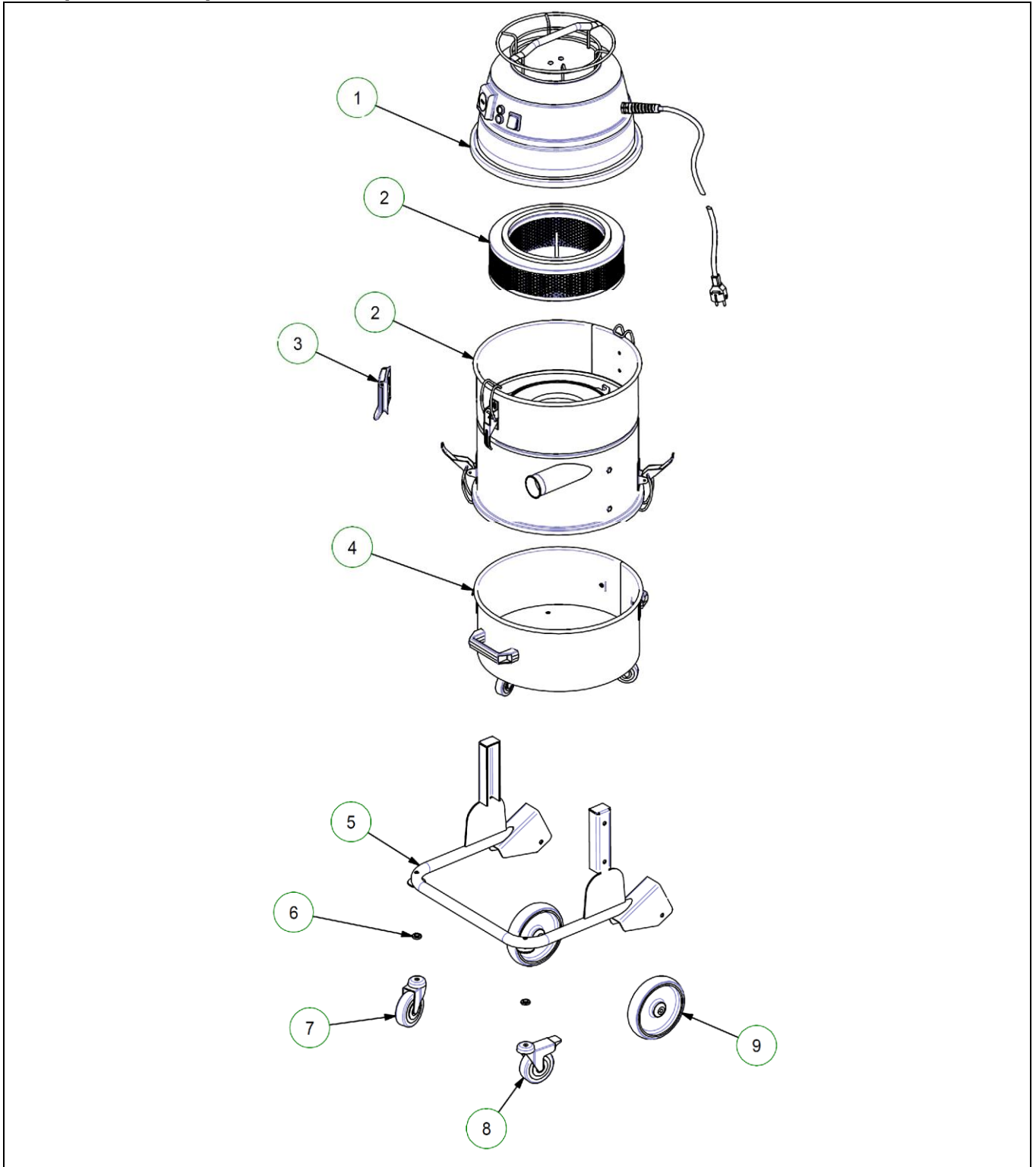
Spare Part List



PALLMANN

Pallmann HEPA Vac

Important components





PALLMANN

Pallmann HEPA Vac

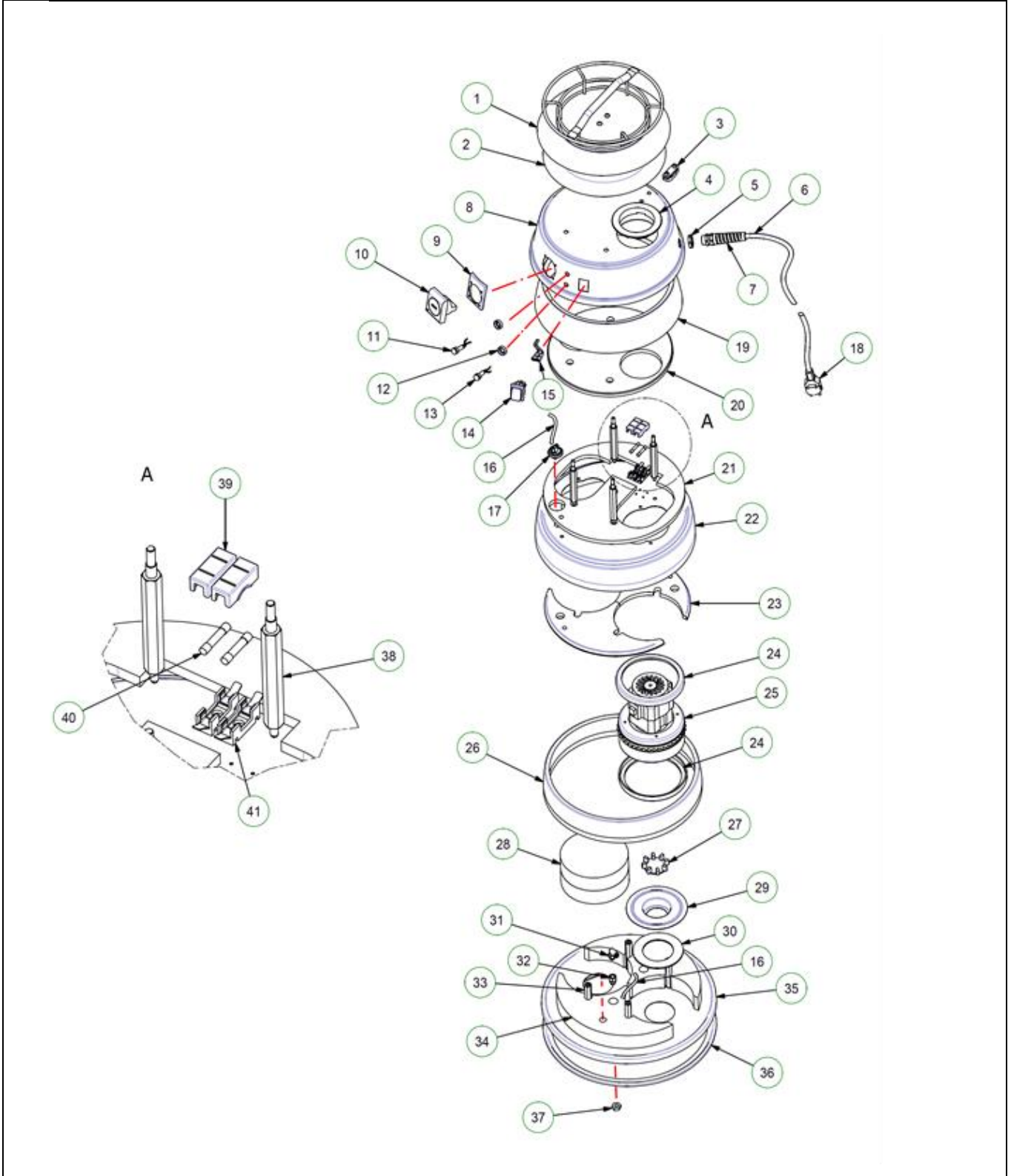
Pos.	pcs.	#	Description	Norm
1	1		Motor head Kit	230V
1	1		Dry Dust Motor head Kit	115V
2	1		Chamber Kit with M Filter	
2	1	81616	FI.0013.0000 absolute Filter H	H14
3	1		Flap Ø50 ABS privat Cabel	
4	1		Dust Container Kid	
5	1		Dustop Trolley	
6	2		Adaptor Washer for Castor	
7	1	83035	Castor	D.80 mm
8	1	83034	Castor with Brake	D.80 mm
9	2	83033	Shock resistant Wheel	D.150 mm



PALLMANN

Pallmann HEPA Vac

Motor Kit





PALLMANN

Pallmann HEPA Vac

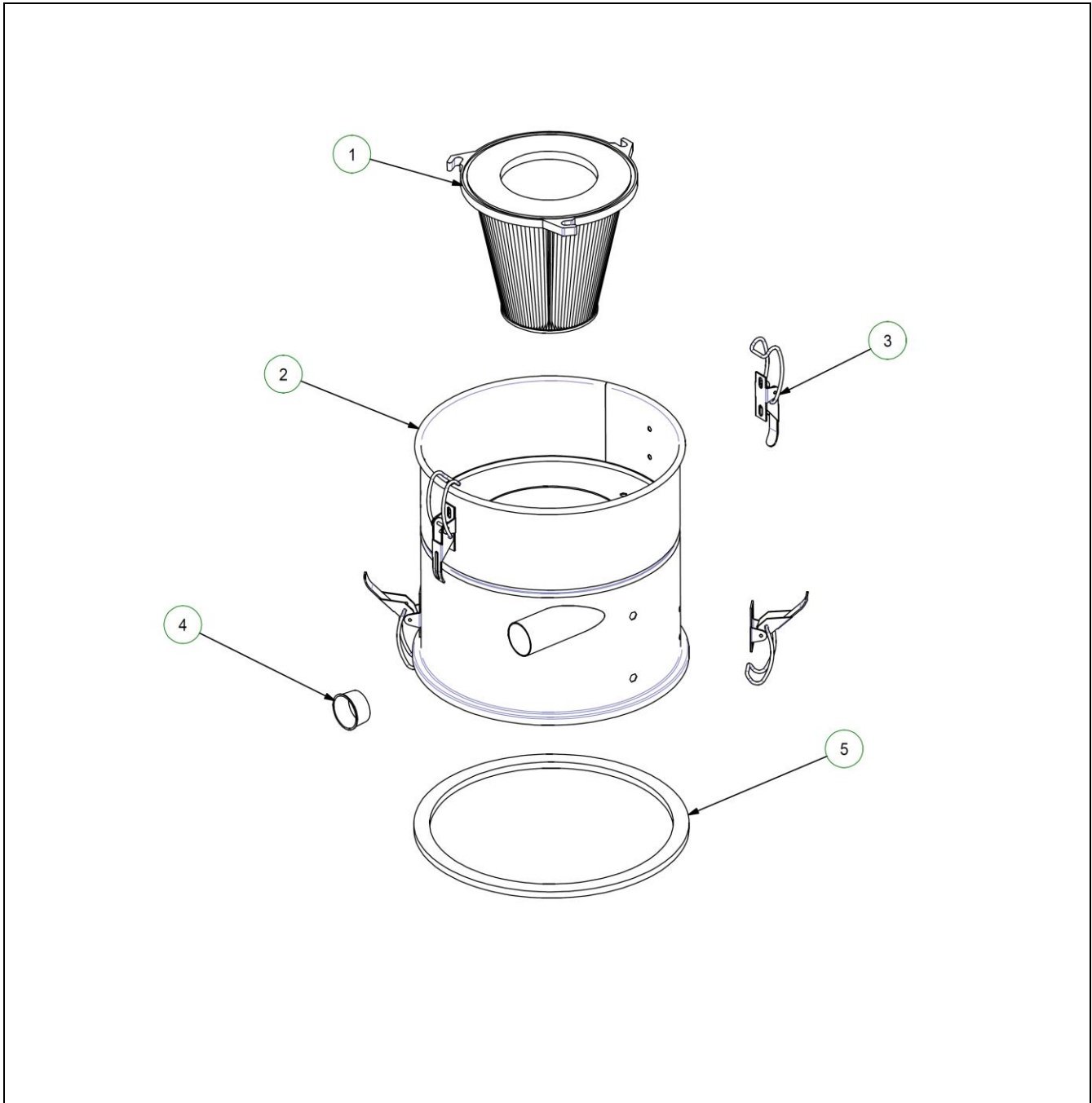
Pos	pcs.	#	Description	Norm
1	1		Cover with Cabel Support	
2	1		Cover Noise Buffering Material	
3	1		SBMMM932 Cabel Fastener Support	
4	1		Cooling Ring	
5	1		Black Polyamide Nut	PG 13,5
6	1		Schuko Power Supply Cable 10m	3X2,5 16A
7	1	19347	Polyamide black Cabel Fastener	PG13,5
8	1		Dry Cover	
9	1		Schuko Intake Casting (Motor Head)	
10	1		Schuko Intake	IP44-10/16A
11	1	42188	Yellow Light if clogged Filter	
12	2		Chromed Nut for Headlight	
13	1	42186	Greenlight for Power Supply on	
14	1	42189	Two Poles Redlight Switch	
15	1		L300 1.5 Black Cabel Dustop Spy	
16	0,15m		PU Hose	6X4
17	1		OMEGA Air Pressure Switch	
18	1		UK Plug (M130DUST 115V)	15A 125V
19	1		Cover Side Noise Buffering Material	
20	1		Cover Noise Buffering Material	
21	1		Motor Fastener Noise Buffering Material	
22	1		Dustop Motor Fastener	
23	2		Motor Fastener Noise Buffering Material	
24	2		Gasket	D. 145X5 H15
25	1	84456	W1000 BP Motor	V115 50/60 Hz
25	1		W1000 BP Motor	V230 50/60Hz
26	1		W-D Motor Fastener Side Noise Buffering Material	
27	1		Bottom Plate Valve	
28	1		1150W Motor Site Sealing Cap	
29	1		Motor Bottomplate (galvanized)	
30	1		By-Pass Motor Bottomplate Gasket	
31	1		Swivel Elbow Push in Fitting	G1/8M - D6
32	1		Extension	1/8" MF L 22
33	4		Singel Phase Motor Headspacer (M.Fastener)	
34	2		Baseplate Noise Buffering Material	
35	1		Dustop Baseplate	
36	1,2m		Baseplate Gasket	
37	1		Hexagonal Nut	1/8"CH 17 mm
38	4		Motor Headspacer (Cover)	
39	2		Fuse Black Coating	
40	2		Fuse	15A 6.3x32
41	2		Fuse Holder	30A 250V



PALLMANN

Pallmann HEPA Vac

Filter



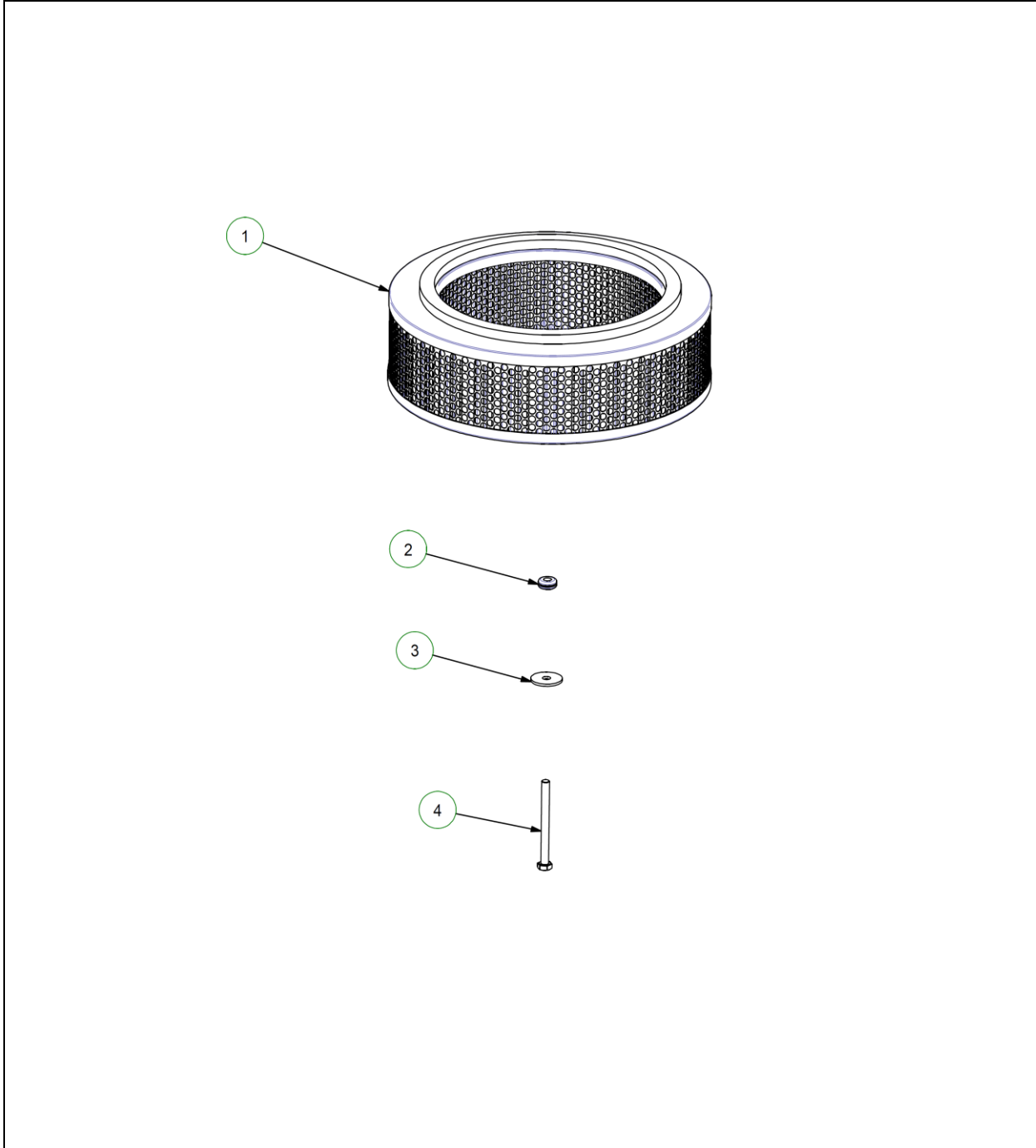
Pos.	pcs.	#	Description	Norm
1	1	84524	M Conical Cartridgefilter	
2	1		Filter Chamber With Flap	D360 H335
3	4		Latch Toggle Clamp	
4	1		Dustop PVC D45 Cap	
5	1,2 m		Adhesive Gasket	10X22xD384



PALLMANN

Pallmann HEPA Vac

Filter



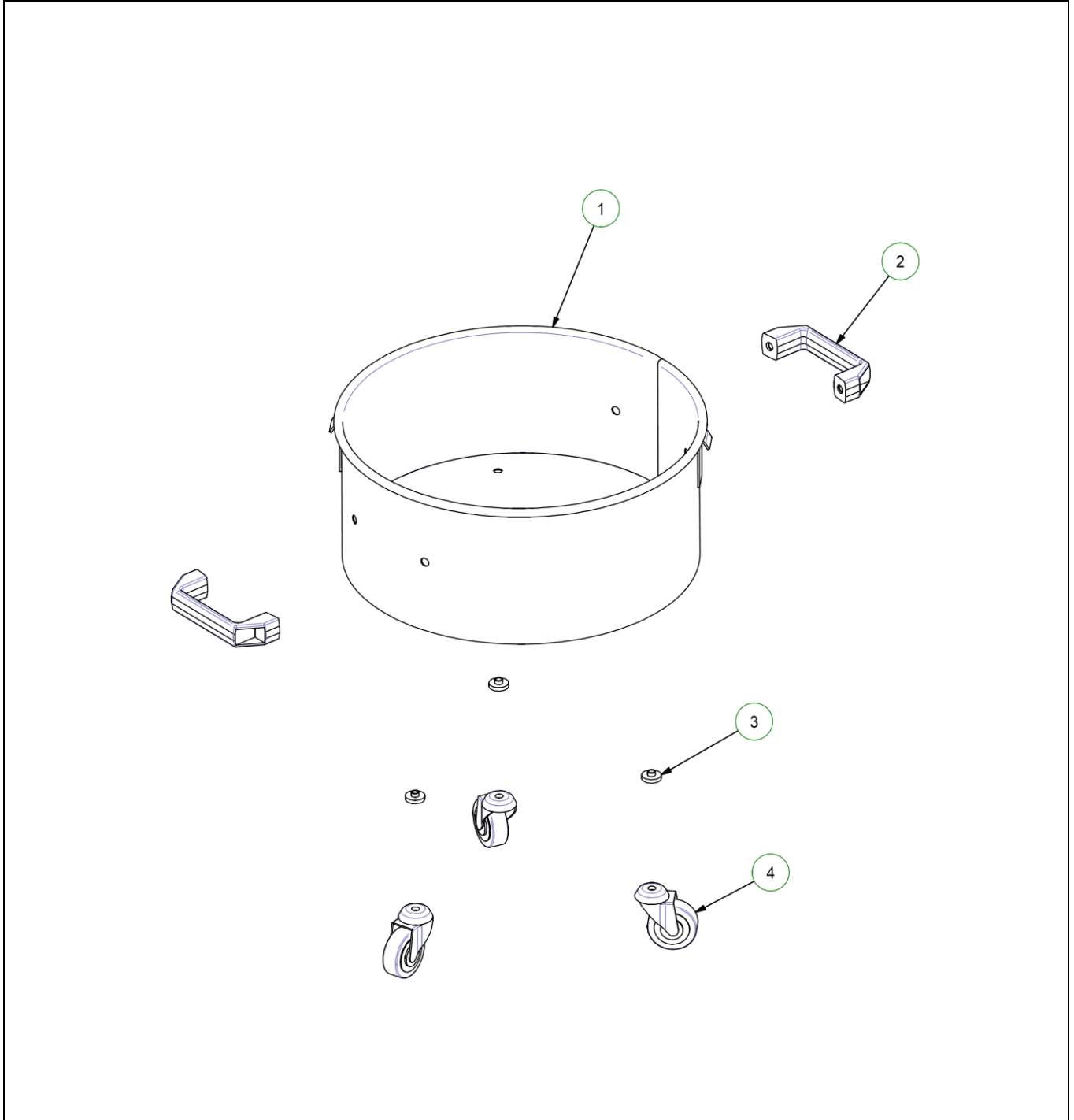
Pos.	pcs.	#	Description	Norm
1	1	81616	DS Absolut Filter	D.330x98H
2			Black Cabel Support for Absolut Filter	
3			Galvanized Plainwasher	DIN 9021 8X32
4	1	82985	Galvanized Hexagon Headbolt	8X90



PALLMANN

Pallmann HEPA Vac

Container




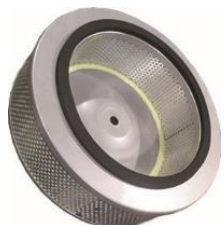


Pos.	pcs.	#	Description	Norm
1	1		Dry Container	D360x155 H
2	2	83842	Handel	
3	3		Adaptor Washer for D50 Castor	
4	3	83036	Ega Castor	D. 50mm



PALLMANN

Pallmann HEPA Vac

Equipment




Pos	#	Bezeichnung	Description	Dénomination	Bilder
1		Filter M Standard	Filter M Standard		
3	81616	Filter H14 / HEPA	Filter H14 / HEPA		
4	83511	Saugschlauch Ø 38mm PVC antistatisch. Mit Schlauchanschluß 38 mm	Antistatic hose PVC 5 mt. D. 38 mm. With rubber cuff 38 mm.		
5	83514	Bodendüse Plastic Ø 38 mm	Floor cleaning brush plastic Ø 38 mm.		
6	83513	Saugrohr Plastic verchromt Ø38	Chrome wand for plastic d. 38 mm.		



PALLMANN

Pallmann HEPA Vac

Equipment

Pos	#	Bezeichnung	Description	Dénomination	Bilder
7	83510	Schlauchanschluss Gummi	Rubber cuff accessories		
8	83509	Reduzierstück 50/38mm	Rubber reducer 50-38 mm.		
9	83512	Handbürste PVC	Handbrush PVC		



PALLMANN

Pallmann HEPA Vac

Note: